

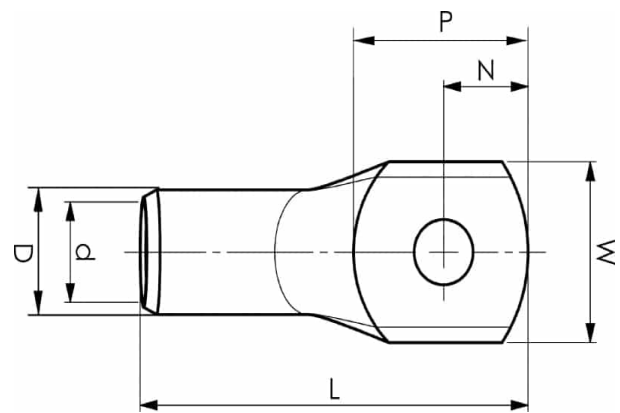
# KRF240A-20

- Material: Cu 99.95%, tin plated Cu/Sn.
- With inspection holes.
- For stranded (class 2), multi-stranded (class 5) and very flexible (class 6) Cu conductors according to IEC 60228, for multi-stranded Cu conductors contact crimping using the Dual system is recommended.



## Example of marking KRF: 17 (neck) Elpress logotype 70 10F (palm)

17 = Die No. 70 = mm<sup>2</sup> 10 = palm hole for M10 F = type KRF for stranded, flexible and very flexible conductors.



Item number: **7301-145900**  
EAN: **7393487032668**

W (mm): **42**  
N (mm): **19**  
N1 (mm): **20**  
P (mm): **39**  
f (mm): **1**  
d (mm): **22.5**  
D (mm): **29**  
L (mm): **96**  
t (mm) - palm thickness: **6.4**  
s (mm) - strip length: **37**

Screw: **M20**  
Inspection hole: **Yes**

AWG/MCM Cu: **450 MCM**  
mm<sup>2</sup> Cu: **240**