

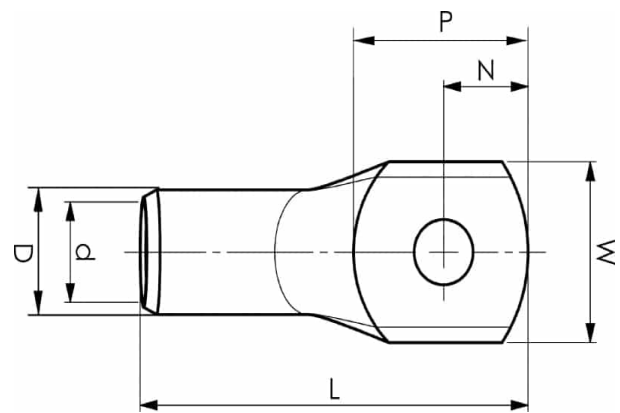
# KRF35-12

- Material: Cu 99.95%, tin plated Cu/Sn.
- With inspection holes.
- For stranded (class 2), multi-stranded (class 5) and very flexible (class 6) Cu conductors according to IEC 60228, for multi-stranded Cu conductors contact crimping using the Dual system is recommended.



## Example of marking KRF: 17 (neck) Elpress logotype 70 10F (palm)

17 = Die No. 70 = mm<sup>2</sup> 10 = palm hole for M10 F =  
type KRF for stranded, flexible and very flexible  
conductors.



Item number: **7301-013400**  
EAN: **7393487006041**

W (mm): **22**  
N (mm): **12**  
N1 (mm): **14**  
P (mm): **26**  
f (mm): **1.5**  
d (mm): **9**  
D (mm): **13**  
L (mm): **52**  
t (mm) - palm thickness: **3.2**  
s (mm) - strip length: **16**

Screw: **M12**  
Inspection hole: **Yes**

AWG/MCM Cu: **2 AWG**  
mm<sup>2</sup> Cu: **35**