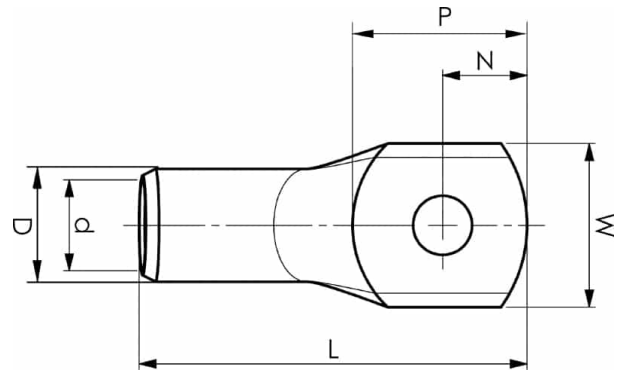


KRF tube terminals 16 - 800 mm²

KRF25-6

- Material: Cu 99.95%, tin plated Cu/Sn.
- With inspection holes.
- For stranded (class 2), multi-stranded (class 5) and very flexible (class 6) Cu conductors according to IEC 60228, for multi-stranded Cu conductors contact crimping using the Dual system is recommended.



Example of marking KRF: 17 (neck) Elpress logotype 70 10F (palm)

17 = Die No. 70 = mm² 10 = palm hole for M10 F = type KRF for stranded, flexible and very flexible conductors.



Item number: **7301-012600**

EAN: **7393487005969**

W (mm): **16**

N (mm): **8**

N1 (mm): **10**

P (mm): **18**

f (mm): **1**

d (mm): **8**

D (mm): **11**

L (mm): **39**

t (mm) - palm thickness: **2.9**

s (mm) - strip length: **13**

Screw: **M6**

Inspection hole: **Yes**

AWG/MCM Cu: **4 AWG**

mm² Cu: **25**

ELPRESS