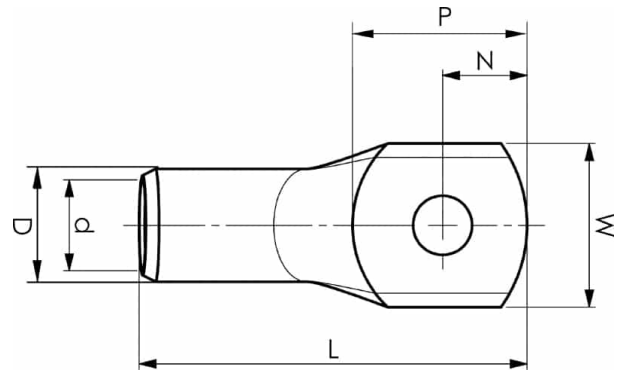


KRF tube terminals 16 - 800 mm²

KRF35-14

- Material: Cu 99.95%, tin plated Cu/Sn.
- With inspection holes.
- For stranded (class 2), multi-stranded (class 5) and very flexible (class 6) Cu conductors according to IEC 60228, for multi-stranded Cu conductors contact crimping using the Dual system is recommended.



Example of marking KRF: 17 (neck) Elpress logotype 70 10F (palm)

17 = Die No. 70 = mm² 10 = palm hole for M10 F = type KRF for stranded, flexible and very flexible conductors.



Item number: **7301-509000**

EAN: **7393487041370**

W (mm): **25**

N (mm): **15**

N1 (mm): **16**

P (mm): **31**

d (mm): **9**

D (mm): **13**

L (mm): **57**

t (mm) - palm thickness: **2.9**

s (mm) - strip length: **16**

Screw: **M14**

Inspection hole: **Yes**

AWG/MCM Cu: **2 AWG**

mm² Cu: **35**

ELPRESS