

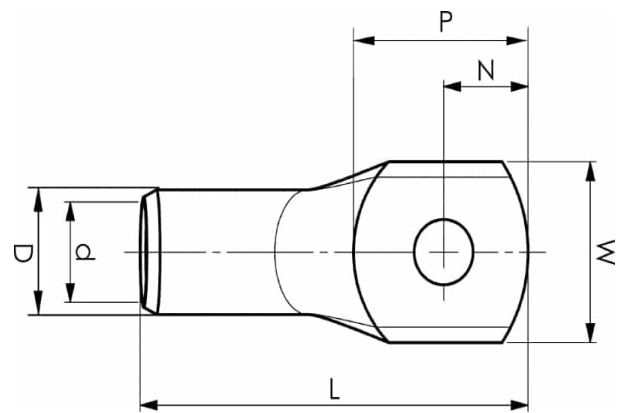
KRF400A-20

- Material: Cu 99.95%, tin plated Cu/Sn.
- With inspection holes.
- For stranded (class 2), multi-stranded (class 5) and very flexible (class 6) Cu conductors according to IEC 60228, for multi-stranded Cu conductors contact crimping using the Dual system is recommended.



Example of marking KRF: 17 (neck) Elpress logotype 70 10F (palm)

17 = Die No. 70 = mm² 10 = palm hole for M10 F = type KRF for stranded, flexible and very flexible conductors.



Item number: **7301-144500**
EAN: **7393487032712**

W (mm): **56**
N (mm): **23**
N1 (mm): **25**
P (mm): **48**
f (mm): **2**
d (mm): **30**
D (mm): **38**
L (mm): **119**
t (mm) - palm thickness: **7.8**
s (mm) - strip length: **52**

Screw: **M20**
Inspection hole: **Yes**

AWG/MCM Cu: **700 MCM**
mm² Cu: **400**